

**High-performance register standstill  
(10 bar)**

## HR

**160 / 200 / 300 /**

**400 / 500 LITRE**

“

The HR cylinder is especially suitable for combination with condensing boilers and heat pumps.

”

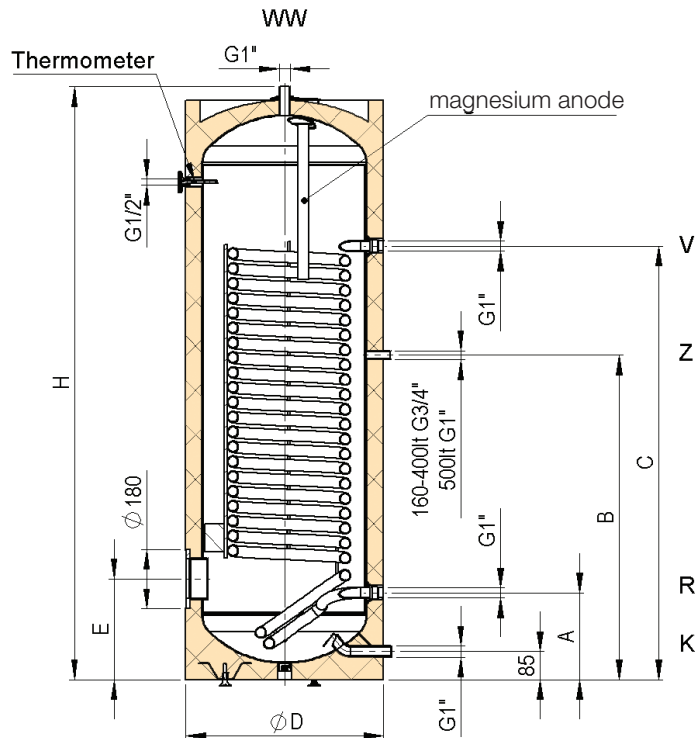


## TECHNICAL DATA

- Operating pressure: max. 10 bar  
Capacity: 160 L, 200 L, 300 L, 400 L, 500 L
- Energy-saving PU foam insulation
- Smooth-tube heat exchanger with particularly large heating surfaces
- High-quality dial thermometer
- Circulation: 3/4" male thread for HR 160 - HR 400 1" male thread for HR 500
- Variable sensor position (sensor channel)

## ACCESSORIES

- Foil jacket included, thus reduced stock-keeping
- Attached thermometer-loading pump-controller combination ATR
- Flange-mounted heater Ø 180 mm
- Safety and non-return valve DL-SVRV
- External current anode (retrofit kit)
- Finned-tube heat exchanger
- Optionally available in white or silver-grey



## ECO DESIGN-LABELING

**7 YEARS WARRANTY ON THE INNER BOILER**

Type	Heat loss according to EN 12897		Tapping profile	Energy efficiency class
	in kWh/24h	S in watts		
<b>HR 160</b>	1,17	48,8	L	<b>B</b>
<b>HR 200</b>	1,37	57,1	XL	<b>B</b>
<b>HR 300</b>	2,19	91,3	XXL	<b>C</b>
<b>HR 400</b>	2,45	102,1	XXL	<b>C</b>
<b>HR 500</b>	2,72	113,3	3XL	<b>C</b>

## TECHNICAL DATA

Type	Article no.	Dimensions in mm						Heat exchanger surface m <sup>2</sup>	Tilt dimension in mm	Content Pipe register in l	NL number according to DIN 4708	ETF in mm	Weight in kg
		A	B	C	D	E	H						
<b>HR 160</b>	A 221 19	263	668	818	600	305	1118	1,4	1240	8,9	3,8	180/450	76
<b>HR 200</b>	A 223 26	263	803	998	600	305	1340	1,8	1440	11,8	6,0	180/450	90
<b>HR 300</b>	A 225 30	263	983	1313	600	305	1797	2,6	1870	17,0	12,6	180/450	120
<b>HR 400</b>	A 241 19	320	1000	1460	670	345	1832	3,8	1930	24,0	21,5	180/490	169
<b>HR 500</b>	A 245 28	370	1095	1465	750	370	1838	4,0	1970	2,9	25,8	180/580	180

ETF: Flange installation depth (for built-in heating or finned tube heat exchanger)