

Built-in tank (6 bar)

SSP U

120 LITRE

“

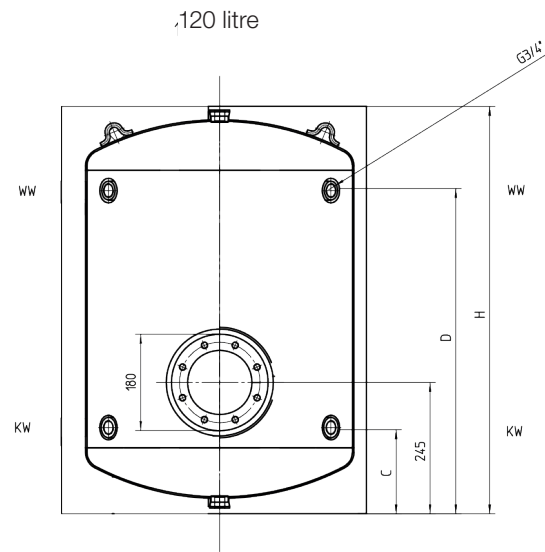
The SSP is the ideal storage unit for installation in kitchen corner niches!

”



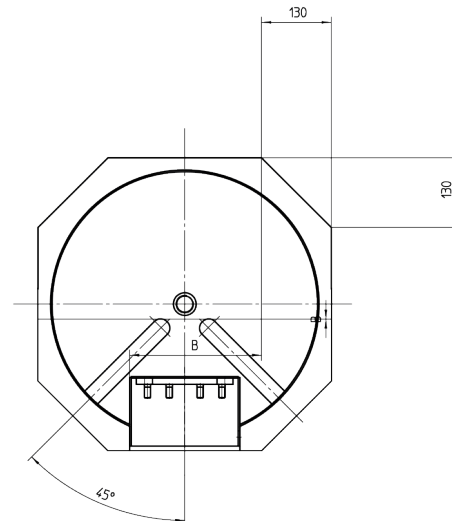
TECHNICAL DATA

- Operating pressure 6 bar
- Capacity: 120 L
- Ideal for installation in kitchen corner niches
- Stove-enamelled, white powder-coated front panelling (open at the back)
- Drainage via cold water pipe
- Cold and hot water connection SSP 120U: 3/4"
- With protective anode, insulated built-in radiators and n protective current leakage resistor for optimum corrosion protection.



ACCESSORIES

- Flow safety check valve
- DL-SVRV with 3/4" connection for 6 bar



ECO DESIGN-LABELING

 **5 YEARS WARRANTY ON THE INNER BOILER**

Type	Content in l	Heat loss according to EN 12897		Tapping profile	Energy efficiency class
		in kWh/24h	S in watts		
SSP 120 U	120	1,6	62,0	L	C

TECHNICAL DATA

Type	Article.no.	Dimensions in mm				Reversible heating capacities (factory setting 6 hrs. heating time) in kW							Weight in kg
		B	H	C	D	~ 230V				3~400V		3N~400V	
						3 1/3 h	4h	6h	8h	3 1/3 h	4h	3 1/3 h	
SSP 120 U	A 261 07	545	760	160	603	3,20	2,70	2,00	1,35	4,0	3,20	3,35	67