

**Heat, cold buffer storage
(3 bar)**

PS 100

100 LITRE

“

The PS 100 is specially designed for operation with heat pumps.

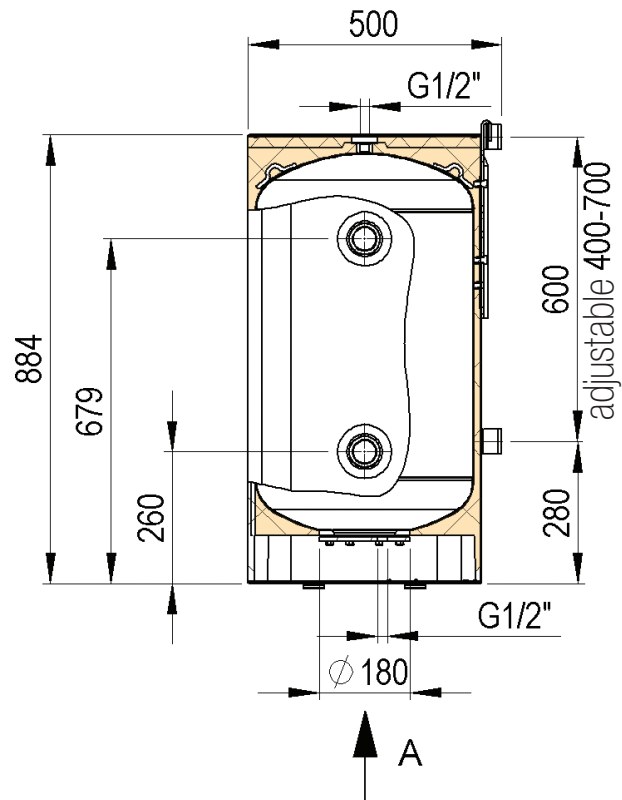
”



HEAT, COLD BUFFER STORAGE

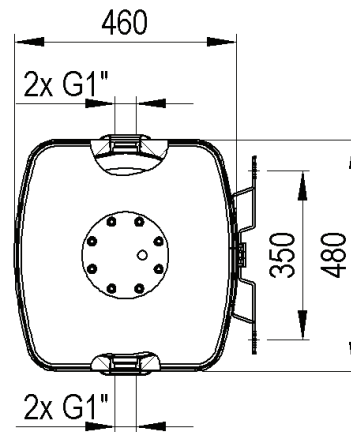
TECHNICAL DATA

- Operating pressure: 3 bar
- Test pressure: 4.5 bar
- Capacity: 100 L
- Energy-saving PU foam insulation
- Max. Operating temperature 95 °C
- Powder-coated sheet steel outer jacket in white
- Sensor diameter approx. 4-7 mm
- Fire protection class: B3



ACCESSORIES

- Stand feet (4 pieces enclosed)



View A

ECO DESIGN-LABELING

✓ 5 YEARS WARRANTY

Type	Heat loss according to EN 12897		Tapping profile	Energy efficiency class
	in kWh/24h	S in watts		
PS 100	1,17	48,8	M	B

TECHNICAL DATA

Type	Article.no.	Height with insulation in mm	Outer dimension with insulation in mm	Tilt dimension in mm	Content in l	Flange ø in mm	Weight in kg
PS 100	A 344 18	884	480x460 (500)	997	25	180	44