

**Domestic water heat pump
(10 bar)**

**WPA 303
ECO-2**

300 LITRES

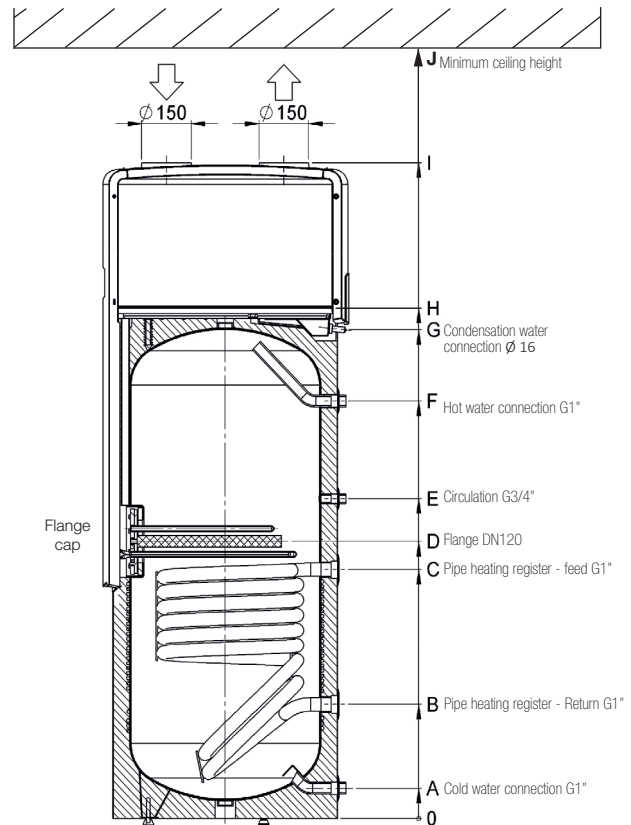


ACCORDING TO EXPERTS

- ✓ **Exceptionally high COP value of 3.8**
- ✓ **Significantly expanded operating range (-7°C to +35°C)**
- ✓ **STB under the cover of the heater**
- ✓ **No electrical or refrigeration connection required**
- ✓ **Wide range of operating possibilities (heating by heat pump or boiler)**
- ✓ **SVGW certification**
- ✓ **Improved service, since the upper part no longer needs to be disassembled to change the magnesium anode**

DOMESTIC WATER HEAT PUMP

- Operating pressure: 10 bar
- Capacity: 300 L
- High-quality PU foam insulation
- With potential-free switching input for photovoltaic systems
- Exceptionally energy-saving operation
- The units have a compact design and come pre-wired
- Corrosion protection with high-quality enamelling according to DIN 4753 T3
- No heat transfer losses between heat pump and water heater
- No electrical or refrigeration connection required
- Wide range of operating possibilities
- Also makes room cooling possible in addition to hot water preparation
- Digital temperature display
- Easy to select basic programmes for all operating modes



TECHNICAL DATA

- | | | | |
|-----------------------------|--|--|--------------------------------|
| • Max. Heat output | 1850 W / 3350 W ¹ | • Air duct connection | Ø 150 mm / max.
10 m |
| • Max. Power consumption | 560 W (60°C) | • Max. additional power consumption | 300 W |
| • Electric power output | 440 W / 1940 W ¹ | • Weight | 150 kg |
| • Electrical connection | ~ 230 V / 50 Hz | • Volume | 300 L |
| • Protection class | 16 A / IPX 1 | • COP value (EN16147;A15W55;XL) ¹ | 3.85 |
| • Maximum water temperature | 55°C - 65°C ²
/Auxiliary heater to ~ 75° C | • Heat exchanger power | 15 kW |
| • Air temperature | -7 °C + 35 °C | • Required air flow rate | 380 m ³ /h |
| • Refrigerant | R 134 A | • Max. temperature in the tank | + 85 °C
(safety thermostat) |
| • Refrigerant quantity | 0.9 kg | • Sound pressure level | 47 dB(A) |
| • Max. Heat pump pressure | 2.3 MPa | • Minimum ceiling height | 2100 mm |
| • Max. Tank pressure | 1.0 MPa | • Auxiliary electric heater | 1.5 kW |
| • Water connections | R1" (circulation: R3/4") | | |

1...with electric heating
2...with electric heating (heat pump operation up to max. 60 °C)

ECO DESIGN LABELLING

7-YEAR WARRANTY ON THE INNER BOILER

Type	Standby heat loss according to EN 12897		Draw-off profile	Energy efficiency class
	in kWh/24hr	S in watts		
WPA 303 ECO-2	2.08	86.7	XL	A+

TECHNICAL DATA

Type	Item no.	Dimensions in mm										COP value*	Heat exchanger surface in m ²	Tilted dimension in mm	Weight in kg
		A	B	C	D	E	F	G	H	I	J				
WPA 303 ECO-2	A 411 89	85	320	700	780	900	1175	1375	1422	1848	2100	3.85	1.2	1940	158

* Acc. to EN 16147; A20/W10-55; XL