

heat/cold buffer storage (6 bar)

WPPS

130-500 LITRE



“

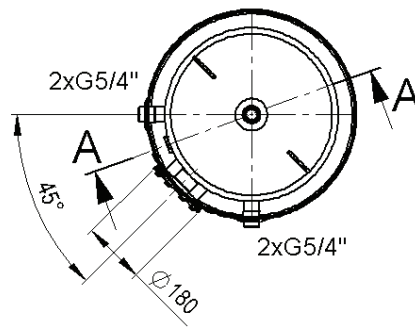
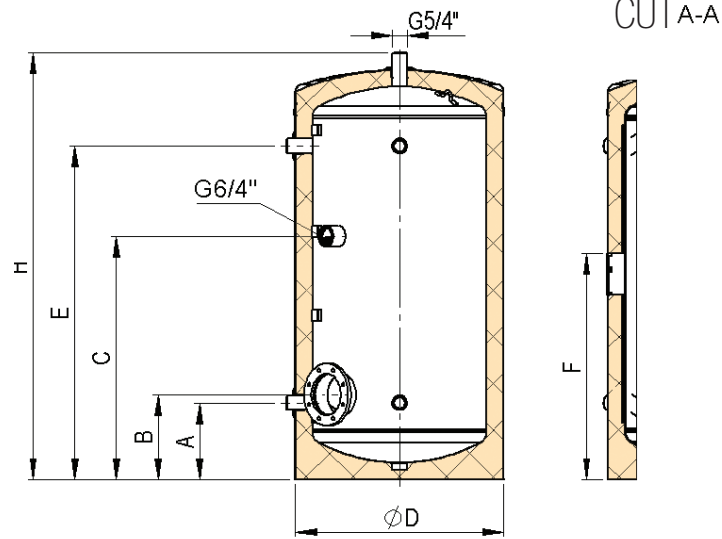
- ✓ **Especially designed for operation with heat pumps**
- ✓ **The numerous connection options available make this series the ideal addition to your heat pump**

”

HEAT/COLD BUFFER STORAGE

TECHNICAL DATA

- Operating pressure: 6 bar, 130 L 3 bar
- Capacity: 130 L, 200 L, 300 L, 400 L, 500 L
- Raw sheet steel inner boiler (St 37)
- Energy-saving PU foam insulation
- Powder-coated sheet steel outer jacket in silver-grey (other colours on request)
- Flange (D = 180 mm) with mounted blind flange and insulating bonnet (can also be used for finned tube heat exchanger or built-in heating); except WPPS 130
- 6/4"-socket for installation of an electric screw-type radiator of type „SH“ or usable as additional connection
- Sensor channel for variable sensor positioning; except WPPS 130
- All connections with male thread
- Outer casing stiffened by flanging



ACCESSORIES

- Screw-in heaters SH
- Electric built-in heaters EBH
- Finned tube heat exchanger RWT
- Built-on thermometer ATH
- Built-on thermometer-loading pump-controller combination; ATR For details see accessories brochure

ECO DESIGN-LABELING

✓ 5 YEARS WARRANTY

Type	Heat loss according to EN 12897		Tapping profile	Energy efficiency class
	in kWh/24h	S in watts		
WPPS 130	1,21	50,0	L	B
WPPS 200	1,67	69,6	XL	B
WPPS 300	2,19	91,3	XXL	C
WPPS 400	2,45	102,1	XXL	C
WPPS 500	2,72	113,3	3XL	C

TECHNICAL DATA

Type	Article.no.	Dimensions in mm							Connections	Tilt dimension in mm	ETF in mm	Weight in kg
		ø	A	B	C	D	E	F				
WPPS 130	A 341 61	670	-	85	340	-	480	742	1"	800	6/4"/610	80
WPPS 200	A 341 95	600	246	222	703	654	963	1232	5/4"	1310	180/530	118
WPPS 300	A 341 84	600	246	222	924	941	1420	1689	5/4"	1740	180/530	125
WPPS 400	A 341 85	670	339	280	1029	964	1505	1834	6/4"	1890	180/600	135
WPPS 500	A 341 86	750	365	276	960	895	1414	1740	2"	1830	180/680	170

ETF: Flange installation depth (for built-in heating or finned tube heat exchanger)