

**pressure-resistant small
accumulator (6 bar)**

KDO

30 LITRE



PRESSURE-RESISTANT SMALL ACCUMULATOR

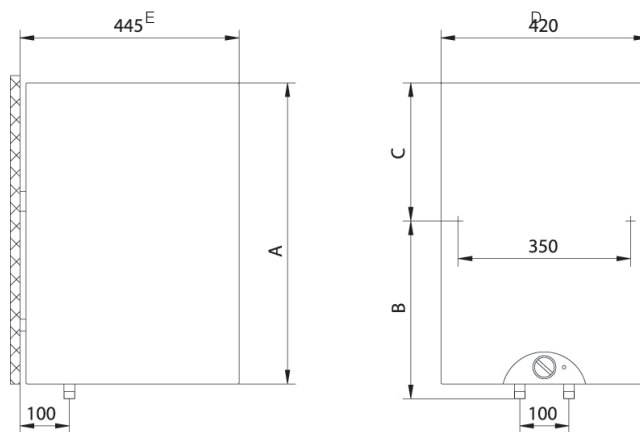
TECHNICAL DATA

- Operating pressure 6 bar
- Capacity: 30 L
- Operating control lamp
- Unit available in over-the-table version
- Stepless temperature control up to 75 °C
- Pressure-resistant, single-layer enamelled
- Sheet steel inner boiler with rod anode
- Without connection cable
- Cold and hot water connection RG ½"
- Copper heating element
- Drainage via cold water pipe

ACCESSORIES

- AG-S storage tank connection set RG ½" up to 6 bar for above-table installation

TOP TABLE VERSION



ECO DESIGN-LABELING

✓ 2 YEARS WARRANTY

Type	Content in l	Heat loss according to EN 12897		Electricity consumption per year in kWh/year	Off-Peaktable or Smart	Tapping profile	Energy efficiency class
		in kWh/24h	S in watts				
KDO 302 Top table	30	0,69	28,8	550	N	S	C

TECHNICAL DATA

Type	Article no.	Heating time in h	Connected load in kW ~ 230V	Dimensions in mm					Temperature setting range from - to in °C		Weight in kg
				A	B	C	D	E			
KDO 302 Top table	A 103 30	1,05	2,0	510	310	235	420	445	10	75	19