

**Pressure-resistant
Small accumulator**

KDO/KDU

5 / 10 / 15 LITRE

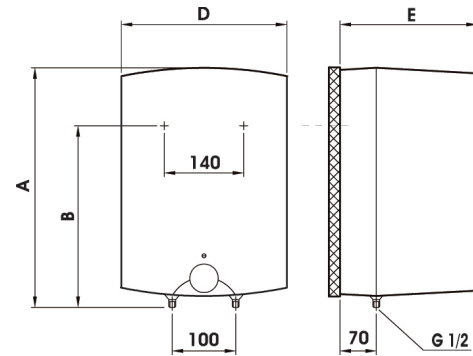


PRESSURE-RESISTANT SMALL ACCUMULATOR

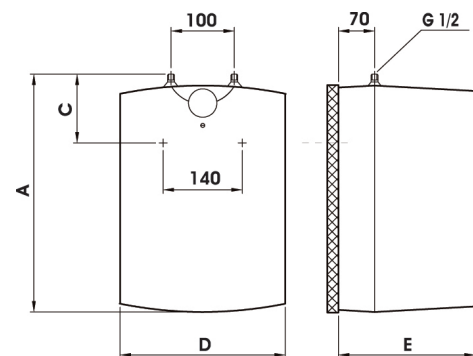
TECHNICAL DATA

- Operating pressure 6 bar
- Contents: 5 L, 10 L, 15 L
- Operating control lamp
- Units in above-table and below-table versions Available
- Stepless temperature control up to 75 °C
- White plastic housing
- Pressure-resistant, single-layer enamelled
- Sheet steel inner boiler with rod anode
- Connection cable with plug,
- Hanging hook and dowel
- Cold and warm water connection RG 1/2 ;
- Copper heating element
- Drainage via cold water pip

TOP TABLE VERSION



UNDER-TABLE VERSION



ACCESSORIES

- AG-S storage tank connection set RG 1/2" up to 6 bar for above-table installation
- AG-U Special accumulator connection set 1/2" up to 6 bar for under-table installation (only for 10-litre appliance) with special intermediate piece for washbasin syphon coupling

ECO DESIGN-LABELING

2 YEARS WARRANTY

Type	Content in l	Heat loss according to EN 12897		Electricity consumption per year in kWh/year	OFF-Peaktable or Smart	Tapping profile	Energy efficiency class
		in kWh/24h	S in watts				
KDO 052 Top table	5	0,35	14,6	514	N	XXS	A
KDU 052 Under table	5	0,35	14,6	525	N	XXS	A
KDO 102 Top table	10	0,48	20,0	508	N	XXS	A
KDU 102 Under table	10	0,48	20,0	524	N	XXS	A
KDO 152 Top table	15	0,62	25,8	510	N	XXS	A
KDU 152 Under table	15	0,62	25,8	523	N	XXS	A

TECHNISCHE DATEN

Type	Article no.	Heating time in h	Connected load in kW ~ 230V	Dimensions in mm					Temperature setting range from - to in °C		weight in kg
				A	B	C	D	E			
KDO 052 Top table	A 103 35	0,18	2,0	396	270		256	260	10	75	7
KDU 052 Under table	A 103 34	0,18	2,0	396		144	256	260	10	75	7
KDO 102 Top table	A 103 13	0,36	2,0	500	398		350	265	10	75	8
KDU 102 Under table	A 103 14	0,36	2,0	500		122	350	265	10	75	8
KDO 152 Top table	A 103 15	0,55	2,0	500	398		350	310	10	75	9
KDU 152 Under table	A 103 16	0,55	2,0	500		122	350	310	10	75	9