

**Unpressurised
Small accumulator**

KRO/KRU

5 / 10 LITRE

“

TIP OF THE EXPERT

- ✓ The appliance is ideal for installation under the sink
- ✓ New high quality design



fotolia

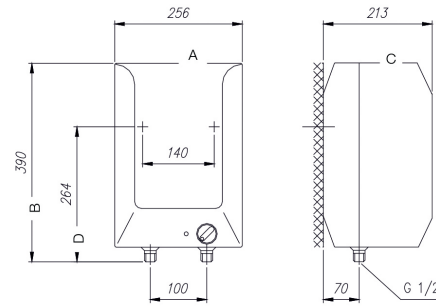
SMALL UNPRESSURISED ACCUMULATOR

TECHNICAL DATA

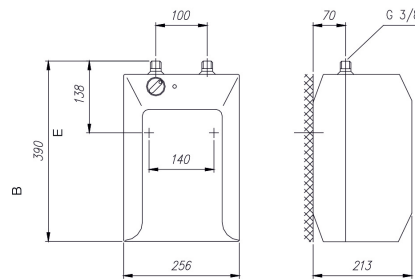
- Contents: 5 L, 10 L
- Operation control lamp
- Units in above- and below-the-sink versions Available
- Stepless temperature control up to 75°C
- White plastic housing
- Safety temperature limiter (self-resetting)
- Pressureless polypropylene inner vessel
- Connecting cable with plug, suspension hook and Dowel
- Cold and hot water pipe (galvanised steel pipe) is included in the plastic (from the 3rd quarter)
- RG 1/2" for KRO, RG 3/8" for KRU
- Drainage via cold water pipe
- Copper heating element
- Fusible link KRO
- Bimetal fuse KRU
- VDE, SIQ, CE and IP 24 tested

NEW

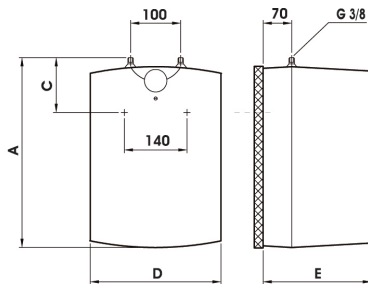
TOP TABLE VERSION 5 LITRES



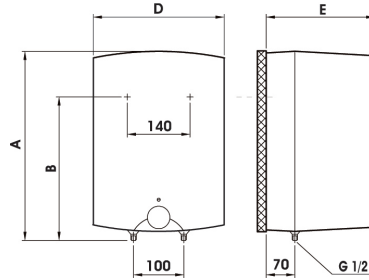
UNDER-SINK VERSION 5 LITRES



UNDER-SINK VERSION 5 LITRES



TOP TABLE VERSION 10 LITER



ECO DESIGN-LABELING

✓ 2 YEARS WARRANTY

Type	Content in l	Heat loss according to EN 12897		Electricity consumption per year in kWh/year	OFF-Peaktable or Smart	Tapping profile	Energy efficiency class
		in kWh/24h	S in watts				
KRO 052 Top table	5	0,32	13,3	525	N	XXS	A
KRU 052 Under table	5	0,32	13,3	527	N	XXS	A
KRO 102 Top table	10	0,40	16,7	525	N	XXS	A
KRU 102 Under table	10	0,40	16,7	523	N	XXS	A

TECHNICAL DATA

Type	Article no.	Heating time in h	Connected load in kW ~ 230V	Dimensions in mm					Temperature setting range from - to in °C		weight in kg
				A	B	C	D	E			
KRO 052 Top table	A 101 08	0,18	2,00	256	390	213	264		10	75	4
KRU 052 Under table	A 101 07	0,18	2,00	256	390	213		138	10	75	4
KRO 102 Top table	A 101 27	0,33	2,00	500	398		350	265	10	75	4,8
KRU 102 Under table	A 101 28	0,33	2,00	500		122	350	265	10	75	4,8