

**Tank in tank System
(3 bar)**

SISS

500/750/900/

1.500 LITRE

“

**The integration of various heat sources
(boiler, collector, heat pump, tiled stoves)
is possible with this unit without any pro-
blems!**

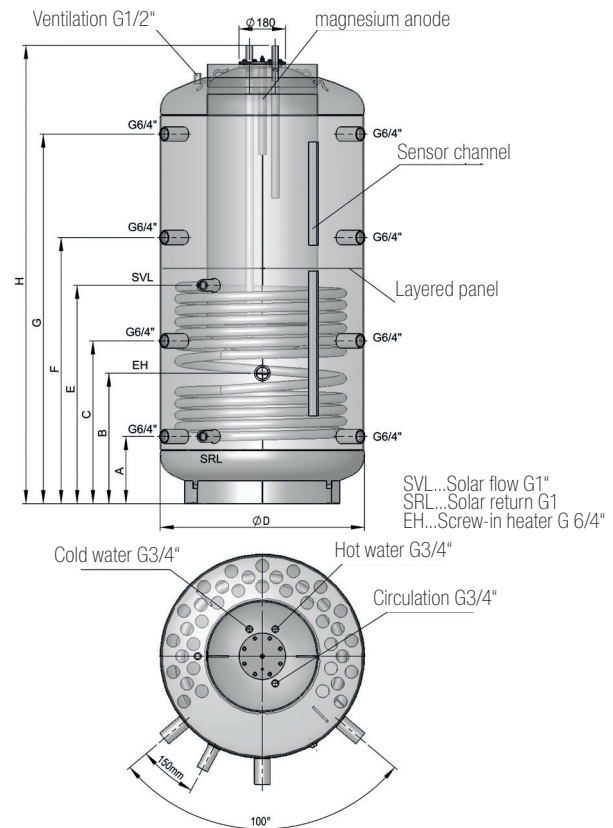
”



TANK IN TANK SYSTEM

TECHNICAL DATA

- Operating pressure:
 - Domestic hot water tank 10 bar
 - Heating buffer tank 3 bar
 - Pipe register 10 bar
- Capacity: 500 L, 750 L, 900 L, 1,500 L
- 100 mm ECO SKIN insulation
- In the heating buffer tank there is a glass lined domestic hot water tank according to DIN 4753 T3, welded in
- Cascading with buffer boiler possible
- Variable sensor positioning possible through two double sensor channels mounted on the outer wall of the buffer storage tank
- Drainage via cold water pipe
- Operating temperature max. 95 °C, heat exchanger max. 110 °C
- Connection option at the SISS for various heat consumers, e.g. radiators, underfloor heating
- Screw-in radiator sleeve 1 1/2" (except SISS 1500)
- Installation of a clamp-on flange-mounted heater with 2.5/5/7.5 kW is possible from above in the domestic hot water tank possible



ACCESSORIES

- Built-in heater RD - SISS 7.5
- External current anode FSA

BUFFER TANKS

ECO DESIGN-LABELING

5 YEARS WARRANTY ON THE INNER BOILER

Type	Heat loss according to EN 12897		Tapping profile	Energy efficiency class
	in kWh/24h	S in watts		
SISS 500/150	2,20	91,7	3XL	C
SISS 750/150	2,66	110,8	3XL	C
SISS 900/200	2,97	123,8	4XL	C
SISS 1500/250	3,84	160,0	4XL	C

TECHNICAL DATA

Type	Article.no.	Dimensions in mm										Heat exchanger content in l	Heat exchanger area in m²	Tilt dimension in mm	NL number according to DIN 4708	max. Power „SH“ in kW	Weight in kg
		H	H mit Isolierung	Dø	Dø mit Isolierung	A	B	C	E	F	G						
SISS 500/150	A 344 18	1706	1735	650	850	220	420	620	805	1010	1390	12,3	1,90	1770	4	6,0	166
SISS 750/150	A 364 26	1773	1800	790	990	260	505	630	845	1030	1430	15,6	2,40	1840	4	9,0	200
SISS 900/200	A 364 27	2123	2150	790	990	310	555	745	1030	1250	1710	19,3	3	2180	6,5	9,0	234
SISS 1500/250	A 364 70	2225	2255	1000	1200	380	-	825	1175	1350	1760	23,5	3,6	2290	9	-	312

ACCESSORIES

Types	Article.no.	Bezeichnung
RD-SIS 7,5	A 902 41	Built-in heater, with inactive zone, reversible 2.5 kW, 5.0 kW, 7.5 kW
FSA-SIS	A 364 09	External power anode, retrofit kit SISS